

T12

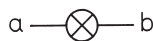
| | |
|--------------------|---|
| T12 | |
| Panel cut-out (mm) | Ø16.2 or Ø22.5 |
| Characteristics | <ul style="list-style-type: none"> ■ illuminated ■ sealed IP40, IP65 or IP67 ■ wide range of bezels ■ midget grooved lamp/LED |
| Rating | max. 60 VAC/VDC |
| Dimensions (mm) | 18 × 24 18 × 18 Ø18 Ø25 |
| Actuator | ■ lenses in different shapes and colors |
| Approvals | UL, CSA, VDE |



Specifications

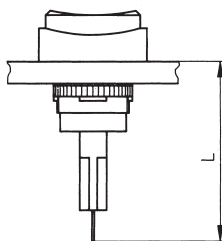
| | |
|----------------------|---|
| Mounting | Central fixing with metal lock nut |
| Protection | IP40, IP65, IP67 |
| Bezel material | Thermoplastic or anodized aluminum alloy |
| Lens material | Polycarbonate - engravable |
| Illumination | T1 ¼ midget grooved lamps - incandescent lamps , LEDs, multi LEDs 60 V, 1.2 W maximum Lamp contact a = anode (+), b = cathode (-) Appropriate safety regulations should be respected when using the indicator light. |
| Temperature range °C | -20°C to +85°C |
| Terminals | Solder – suitable for wire diameter 1 × 1.00 mm ² (braided), 2 × 0.75 mm (stranded) Faston – 2.8 mm × 0.5 mm |
| Vibration resistance | 1.5 mm pp amplitude at 55 Hz |

Circuit diagram

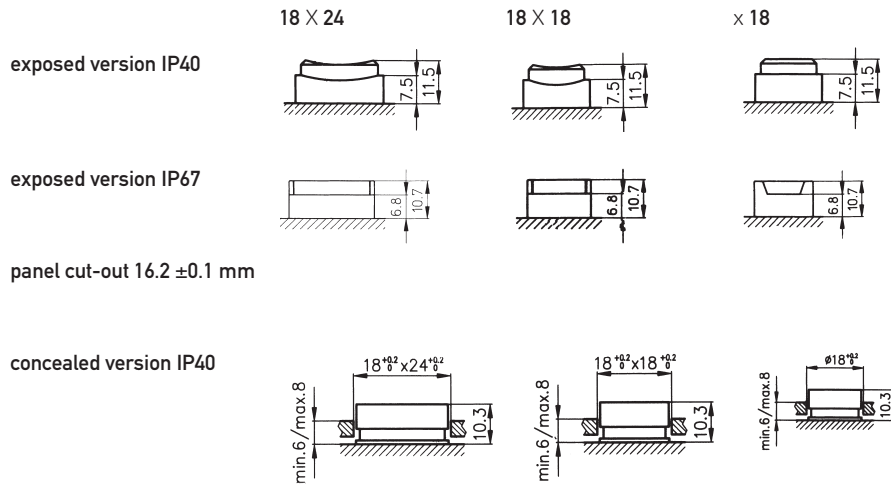


Dimensions

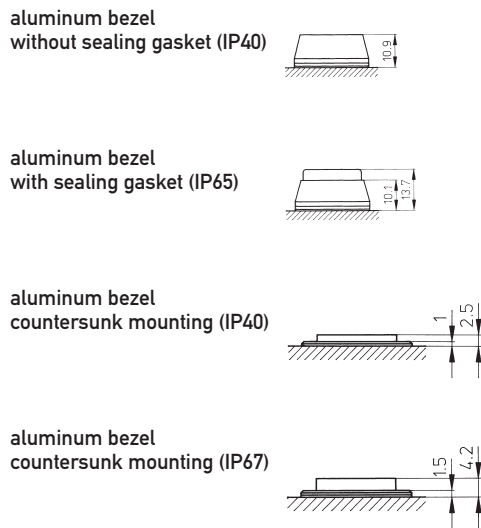
| Length in mm | |
|-----------------------------|-------|
| plastic bezels | 38 mm |
| countersunk mounting bezels | 40 mm |
| aluminum bezels | 48 mm |
| countersunk mounting | |



Plastic bezel and lens heights in mm (switch off position)



Dimensions Aluminum bezel × 25, Lens heights in mm (switch off position)



panel cut-out 22.5 ±0.1 mm

| | | |
|-----------------------|----------------------|------------------------------|
| front panel thickness | plastic bezel 1 | 1.0 to 6.5 mm, 1.0 to 5.0 mm |
| | aluminum bezel | 1.0 to 5.0 mm |
| | countersunk mounting | 2.0 to 15.0 mm |

T15

T15

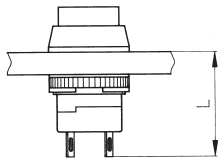
| | |
|--------------------|--|
| Panel cut-out (mm) | Ø16.2 or Ø22.5 |
| Characteristics | <ul style="list-style-type: none">■ illuminated■ sealed IP40 or IP65■ wide range of bezels■ midget grooved lamp/LED |
| Rating | max. 60 VAC/VDC |
| Dimensions (mm) | 18 X 24 18 X 18 Ø18 Ø25 |
| Actuator | ■ lenses in different shapes and colors |
| Approvals | UL, CSA, VDE |



Specifications

| | |
|----------------------|--|
| Mounting | Central fixing with metal lock nut |
| Protection | IP40, IP65 |
| Bezel material | Thermoplastic or anodized aluminum alloy |
| Lens material | Polycarbonate – engravable |
| Illumination | T1 ¾ midget grooved lamps – incandescent lamps, LEDs, multi LEDs 60 V, 1.2 W maximum Lamp contact a = anode (+), b = cathode (-) Appropriate safety regulations should be respected when using the indicator light. |
| Temperature range °C | -20°C to +85°C |
| Terminal material | Silver alloy with 2 µm silver plating, 4 µm gold plating |
| Terminals | Patented flexible solder - suitable for wire diameter 2 × 1.00 mm ² (braided), 4 × 0.75 mm (stranded) |
| Vibration resistance | 1.5 mm pp amplitude at 55 Hz |

Dimensions

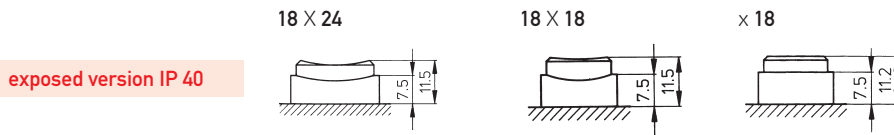


| Length in mm | |
|-----------------------------|------|
| plastic bezels | 23.5 |
| countersunk mounting bezels | 22.5 |
| aluminum bezels | 32.0 |
| countersunk mounting | |

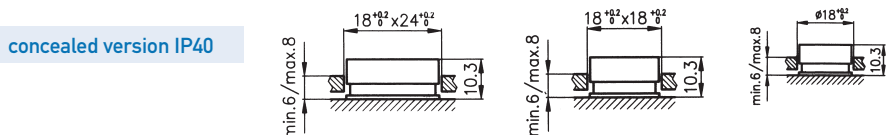
Circuit diagram



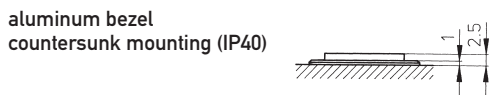
Plastic bezel and lens heights in mm (switch off position)



panel cut-out 16.2 ±0.1 mm



Aluminum bezel Ø25 and lens height in mm (switch off position)



panel cut-out 22.5 ±0.1 mm

| | | |
|-----------------------|-------------------------------|----------------|
| front panel thickness | plastic bezel (Ø18 mm) | 1.0 to 5.5 mm |
| | aluminum bezel (Ø25 mm) | 1.0 to 5.0 mm |
| | countersunk mounting (Ø25 mm) | 2.0 to 15.0 mm |