

TK2

TK2

Panel cut-out (mm)	Ø16.2 or Ø22.5
Characteristics	<ul style="list-style-type: none">■ 2 or 3 position■ sealed IP40 or IP65■ plastic or aluminum bezels■ wide range of bezels■ NO, NC■ gold plated, single or double pole, contact blocks■ key trapping options
Rating	250 VAC, 5 A
Dimensions (mm)	18 × 24 18 × 18 Ø18 Ø25
Actuator	■ key-KABA MICRO
Approvals	UL, CSA, VDE



Specifications

Mechanism	Key actuated
Mounting	Central fixing with metal lock nut
Protection	IP40 or IP65
Bezel material	Thermoplastic or anodized aluminum alloy
Temperature range °C	-20°C to +85°C
Mechanical life	10 ⁶ cycles
Contact block	Slide-on assembly by the user
Contact block housing	Self-extinguishing duroplastic (UL 94 V0)
Terminal material	Silver alloy with 0.2 µm silver plating plus, 0.4 µm gold plating
Contact resistance	<30 mOhm
Number of contact blocks	User configurable NO or NC types up to a maximum of 2 double contact blocks
Terminals	Patented flexible solder – suitable for wire diameter 1 × 1.00 mm ² (braided), 2 × 0.75 mm (stranded) Faston - 2.8mm × 0.5mm
Vibration resistance	1.5 mm pp amplitude at 55 Hz

Cylinder locks

KABA MICRO

- Compact format
- Key code EB 0001 (standard)
- Key codes EB 0002 - EB 0020 (upon request)
- Over 10'000 different key code variations
- Key lock systems with master keys and central locks
- 2 keys per key switch (additional keys on order)

Destruction of the key or lock must be expected if the level 50 Ncm is exceeded.

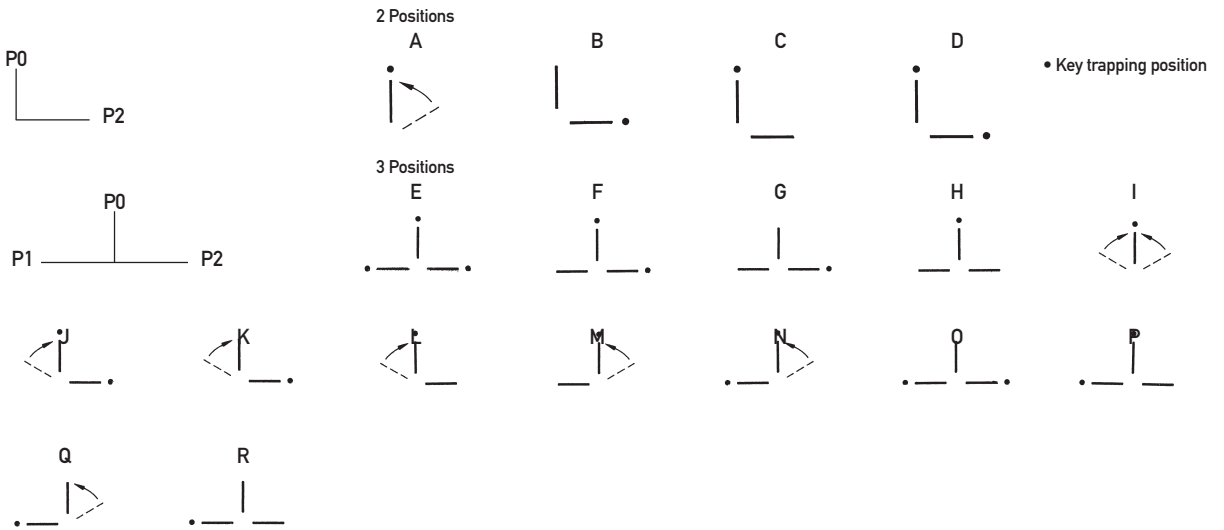
Recommended maximum electrical ratings

Voltage (max)	Resistive load (A)	Inductive load (A)	Approval
250 VAC	5.0 (0.7 pf)		UL, CSA, VDE - max. admissible circuit breaker C6A
12 VDC	5.0	3.0	General rating
24 VDC	4.0	2.0	General rating
36 VDC	3.0	1.7	General rating
48 VDC	2.0	1.5	General rating
60 VDC	1.5	1.2	General rating
125 VDC	0.5	0.3	General rating
250 VDC	0.3	0.2	General rating

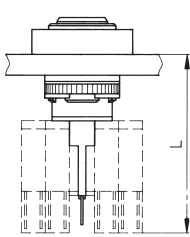
Electrical life 50,000 cycles at 5A, 250 VAC, 0.7 pf

TK2

Key positions/
function

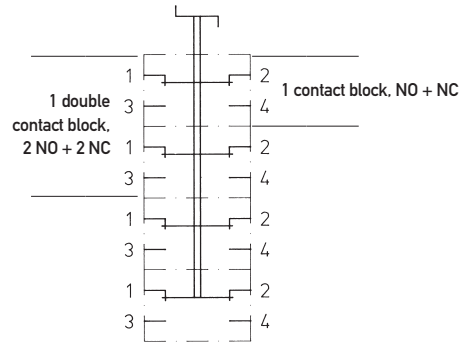


Dimensions



Length in mm (with contact block)
plastic bezels 43
aluminum bezels 42

Circuit diagram (2 double contact blocks)

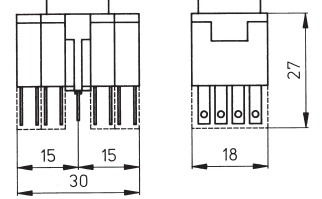
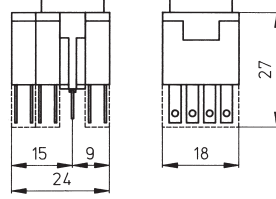
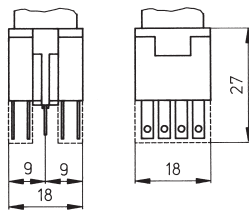
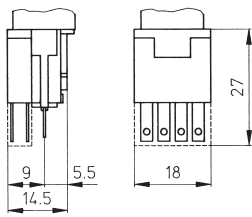


Contact blocks 1 contact block

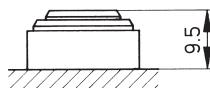
2 contact blocks

1 contact block +
1 double contact block

2 double contact blocks



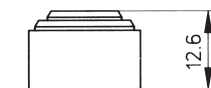
Cylinder height plastic bezel IP40



Panel cut-out 22.5 ± 0.1 mm

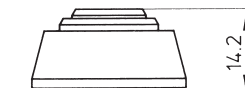
Front panel thickness

plastic bezel IP65
Panel cut-out
16.2 mm W 0.1 mm



plastic bezel IP40
plastic bezel IP65
aluminum bezel

aluminum bezel 2 position key
Panel cut-out
22.5 mm W 0.1 mm



2.0 to 5.0 mm
2.0 to 6.5 mm
1.0 to 5.0 mm

Modular Keyswitch

E1

E1

Panel cut-out (mm) 15.1 X 15.1

- Characteristics
- tamper proof
 - 2 positions
 - key trapping options
 - gold-plated contacts
 - PCB Terminals

Rating 250 VAC, 100 mA

Dimensions (mm) 18 X 16

Actuator ■ plastic key

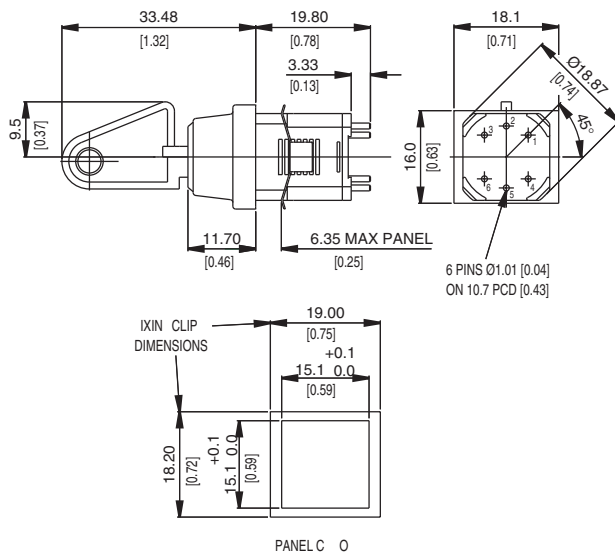
Approvals none



Specifications

Key	Glass-fibre reinforced nylon
Body	Glass-fibre reinforced nylon
Springs	Stainless steel
Contacts	Moving - gold-plated phosphor bronze, Fixed - gold-plated brass
Terminals	1.01 mm (0.04 in) dia X 3.3 mm (0.13 in) gold-plated brass
Temperature range °C	-20°C to +60°C
Mechanical life	50,000 operations (minimum)
Mounting	Retaining clip
Actuators	Key
Switching function	Double pole change-over, three circuit selector
Key indexing	90°

Dimensions



Recommended maximum electrical ratings

Voltage (max)	Resistive load (A)	Inductive load	Horsepower	Approval
250 VAC	100 mA	-	-	General rating - 50,000 operations
0-15 VDC	100 mA	-	-	General rating - 50,000 operations
15-30 VDC	100 mA	-	-	General rating - 50,000 operations

M1

M1

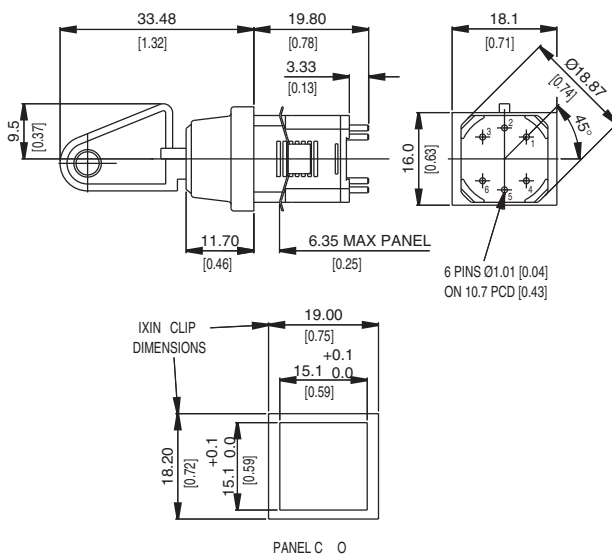
Panel cut-out (mm)	15.1 X 15.1
Characteristics	<ul style="list-style-type: none">■ double pole change-over or three circuit selector switching functions■ key trapping option■ two body style options■ gold-plated contacts■ PCB Terminals
Rating	250 VAC, 100 mA
Dimensions (mm)	18 X 16 body style A 18 X 18 body style E
Actuator	■ key (common or differs)
Approvals	none



Specifications

Key	Nickel silver
Body	Glass-fibre reinforced nylon
Springs	Stainless steel
Contacts	Moving - gold-plated phosphor bronze, Fixed - gold-plated brass
Terminals	1.01 mm (0.04 in) dia × 3.3 mm (0.13 in) gold-plated brass
Temperature range °C	-20°C to +60°C
Mechanical life	50,000 operations (minimum)
Mounting	Retaining clip
Actuators	Key
Switching function	Double pole change-over, three circuit selector
Key indexing	90°

Dimensions



Recommended maximum electrical ratings

Voltage (max)	Resistive load (A)	Inductive load	Horsepower	Approval
250 VAC	100 mA	-	-	General rating - 50,000 operations
0-15 VDC	100 mA	-	-	General rating - 50,000 operations
15-30 VDC	100 mA	-	-	General rating - 50,000 operations

K2

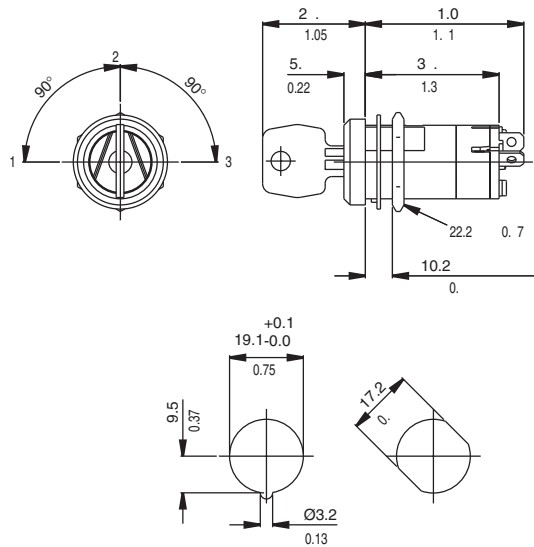
Panel cut-out (mm)	Ø19.1
Characteristics	<ul style="list-style-type: none"> ■ choice of off-on or change-over center off or spring return options ■ key trapping option ■ solder terminals
Rating	up to 250 VAC, 2 A
Dimensions (mm)	Ø22
Actuator	■ key (common or differs)
Approvals	UL and CSA



Specifications

Key	Nickel silver
Body	Glass-fibre reinforced nylon
Springs	Stainless steel
Contacts	Silver
Terminals	4.8 × 0.8 mm (0.19 × 0.032 in) faston (faston) - silver-plated brass
Temperature range °C	-20°C to +85°C
Mechanical life	50,000 operations (minimum)
Mounting	Locknut and washer
Actuators	General duty keylocks
Switching function	Off-on, change-over (center off)
Key indexing	90°

Dimensions



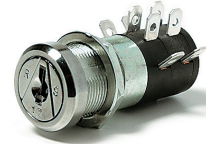
Recommended maximum electrical ratings

Voltage (max)	Resistive load (A)	Inductive load	Horsepower	Approval
125 VAC	4 (0.75 pf)	-	-	UL 1054/CSA 22.2 No. 55 - 6,000 operations
250 VAC	2 (0.75 pf)	-	-	UL 1054/CSA 22.2 No. 55 - 6,000 operations
12 VDC	10	-	-	UL 1054/CSA 22.2 No. 55 - 6,000 operations

P2

P2

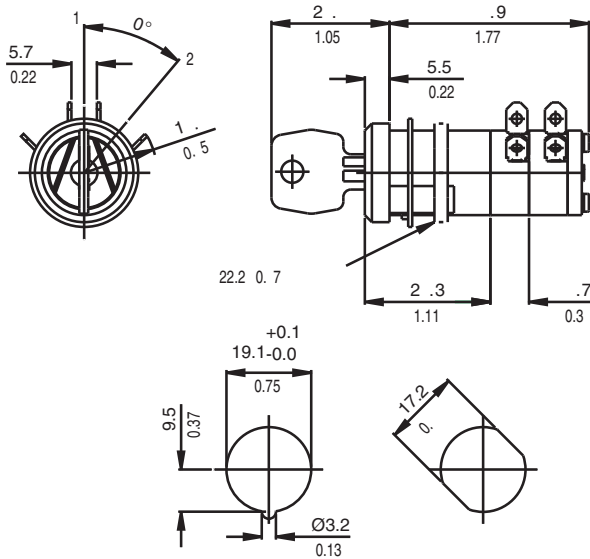
Panel cut-out (mm)	Ø19.1
Characteristics	<ul style="list-style-type: none">■ up to 12 contact pairs■ 2 security options with key actuation■ from 2 to 4 switch positions■ key trapping option■ solder terminals
Rating	250 VAC, 2 A
Dimensions (mm)	Ø22
Actuator	■ key (common or differs)
Approvals	UL (optional)



Specifications

Key	Nickel silver
Body	Glass-fibre reinforced nylon
Springs	Stainless steel
Contacts	Silver
Terminals	4.8 × 0.8 mm (0.19 × 0.032 in) faston (faston) - silver-plated brass
Temperature range °C	-20°C to +85°C
Mechanical life	50,000 operations (minimum)
Mounting	Locknut and washer
Actuators	General duty keylocks
Switching function	Change-over (spring return), change-over (separate circuits)
Key indexing	90°

Dimensions



Recommended maximum electrical ratings

Voltage (max)	Resistive load (A)	Inductive load	Horsepower	Approval
125 VAC	4 (0.75 pf)	-	-	UL 1054/CSA 22.2 No. 55 - 6,000 operations
250 VAC	2 (0.75 pf)	2	-	UL 1054/CSA 22.2 No. 55 - 6,000 operations
12 VDC	10	-	-	UL 1054/CSA 22.2 No. 55 - 6,000 operations